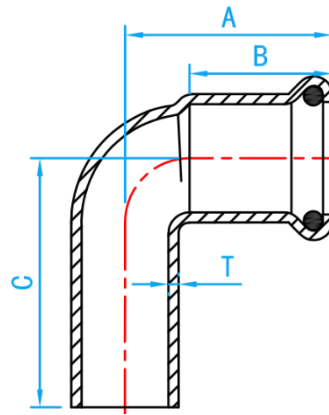


COPPER PRESS FIT FITTINGS (M PROFILE)

COMPLY WITH BSEN1254-2: 1998

90° ELBOW MXF



CROSS SECTIONAL VIEW

DIMENSIONS

SKU	SIZE (mm)	A (mm)	B (mm)	C [mm]	T (mm)	WEIGHT (Kg)	PCS/CTN
PFNE90015MF	15	29.0	20.0	35.0	1.5	0.044	360
PFNE90020MF	22	34.0	21.0	43.0	1.5	0.081	140
PFNE90025MF	28	40.0	23.0	47.0	1.5	0.114	80
PFNE90035MF	35	68.0	26.0	82.0	1.5	0.184	40
PFNE90042MF	42	80.0	30.0	103.0	1.5	0.265	24
PFNE90050MF	54	100.0	35.0	123.0	1.5	0.409	12
PFNE90065MF	67	132.0	50.0	140.0	2.0	0.745	5
PFNE90080MF	76	142.0	50.0	150.0	2.0	1.140	4